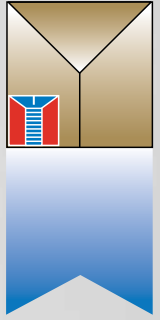


NEW

Metallics

An **AMERICAN** Source For Premier and Innovative Fasteners and Anchors



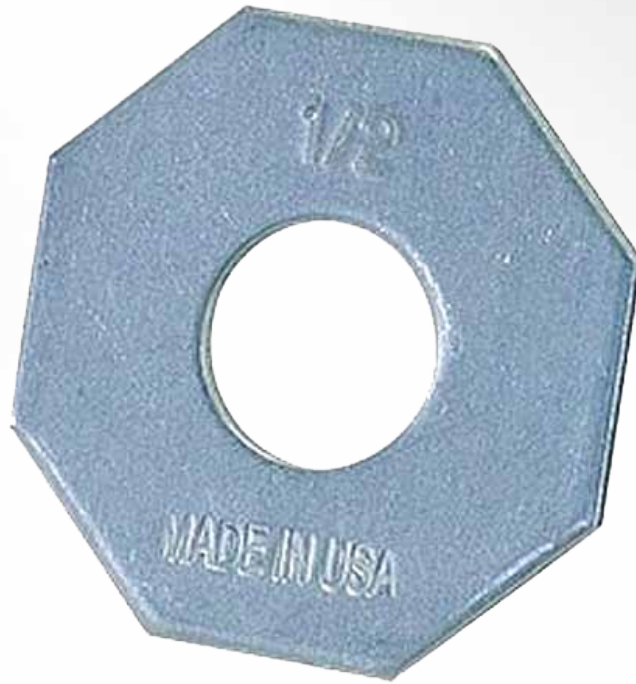
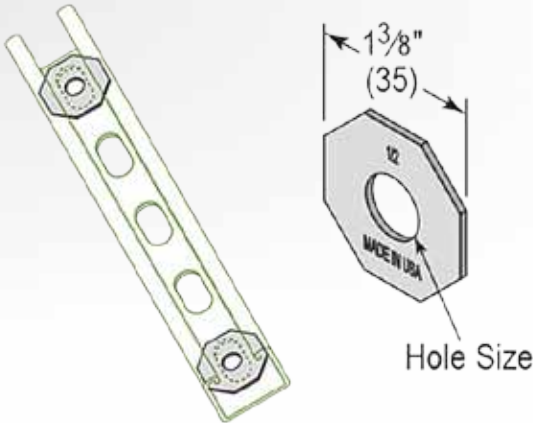
USA Made

Centering Strut Channel Washers

(Pre-Galvanized Zinc, 304 Stainless Steel, 316 Stainless Steel)

- Pre-galvanized Finish
- Designed to fit inside all standard 1-5/8" strut channel configurations
- Can be used inside or outside channel to center and secure threaded rod in trapeze applications
- Also available in 304 and 316 stainless steel

[CONTRACTOR APPROVED]



PART#	UPC#	ITEM	WT. PER PKG.	STD. PKG UM	SUGGESTED TRADE LIST PRICE
JHFW115	90008	1/4 x 1-3/8 Centering Strut Channel Washer Pre-Galvanized Zinc	2.53	100	52.06/c
JHFW115SS	90013	1/4 x 1-3/8 Centering Strut Channel Washer 304 Stainless Steel	2.55	100	251.19/c
JHFW1151SS	90014	1/4 x 1-3/8 Centering Strut Channel Washer 316 Stainless Steel	2.55	100	281.56/c
JHFW118	90018	3/8 x 1-3/8 Centering Strut Channel Washer Pre-Galvanized Zinc	2.38	100	52.06/c
JHFW118SS	90019	3/8 x 1-3/8 Centering Strut Channel Washer 304 Stainless Steel	2.39	100	234.75/c
JHFW1181SS	90020	3/8 x 1-3/8 Centering Strut Channel Washer 316 Stainless Steel	2.39	100	281.56/c
JHFW120	90023	1/2 x 1-3/8 Centering Strut Channel Washer Pre-Galvanized Zinc	2.36	100	52.06/c
JHFW120SS	90024	1/2 x 1-3/8 Centering Strut Channel Washer 304 Stainless Steel	2.36	100	234.75/c
JHFW1201SS	90025	1/2 x 1-3/8 Centering Strut Channel Washer 316 Stainless Steel	2.36	100	281.56/c



Metallics ■ 229 Cross Street, Bristol, CT 06010
Tel 800-243-8272 ■ Fax 800-831-9358 ■ Email sales@metallics.us

Visit us online at:
www.metallics.us

