

# NUTS



## HEX NUTS

DOMESTIC STEEL ZINC • DOMESTIC GRADE 5 STEEL ZINC • DOMESTIC 18-8 STAINLESS  
 • GRADE 2 • GRADE 2 HEAVY HEX • GRADE 5 • GRADE 8 • SILICON BRONZE • BLACK OXIDE  
 • BRASS • 18-8 STAINLESS • 316 STAINLESS • HEAVY 18-8 STAINLESS • GALVANIZED

B

PART#	UPC#	DIAMETER SIZE	BOLT SIZE	WT. PER PKG.	STD. PKG./MSTR. SLEEVE	SUGGESTED TRADE LIST PRICE PER
<b>DOMESTIC STEEL ZINC</b>						
JN163D	50067	1/4 -20	1/4	.74	100/500	50.55/c
JN165D	50068	3/8 -16	3/8	1.58	100/500	68.83/c
<b>DOMESTIC GRADE 5 STEEL ZINC</b>						
JG5N163D	71505	1/4 -20	1/4	.78	100/500	48.13/c
JG5N165D	83919	3/8 -16	3/8	1.56	100/500	82.50/c
JG5N166D	60411	1/2 -13	1/2	1.82	50/250	170.50/c
<b>DOMESTIC 18-8 STAINLESS</b>						
JSN10D	94810	6-32	1/8	.26	100/500	81.00/c
JSN11D	94811	8-32	5/32	.30	100/500	118.50/c
JSN13D	94813	10-32	3/16	.32	100/500	89.50/c
JSN14D	94814	1/4 -20	1/4	.77	100/500	223.50/c
<b>GRADE 2 STEEL ZINC</b>						
JN157	79957	4-40	7/64	.16	100/500	5.62/c
JN159	80427	6-32	1/8	.25	100/500	3.36/c
JN160	80428	8-32	5/32	.31	100/500	3.76c
JN161	80429	10-24	3/16	.38	100/500	4.01/c
JN162	80430	10-32	3/16	.36	100/500	4.01/c
JN163	80431	1/4 -20	1/4	.74	100/500	4.83/c
JNF163	71763	1/4 -28	1/4	.78	100/500	9.28/c
JN164	80432	5/16 -18	5/16	1.09	100/500	8.69c
JNF164	71764	5/16 -24	5/16	1.09	100/500	12.65/c
JN165	80433	3/8 -16	3/8	1.58	100/500	11.17/c
JNF165	71765	3/8 -24	3/8	1.55	100/500	17.45/c
JN170	83140	7/16 -14	7/16	2.81	100/500	23.37/c
JNF171	71771	7/16 -20	7/16	2.81	100/500	34.73/c
JN166	80434	1/2 -13	1/2	1.86	50/250	22.72/c
JNF177	71777	1/2 -20	1/2	1.80	50	41.70/c
JN167	80435	5/8 -11	5/8	1.81	25	40.40/c
JN168	80436	3/4 -10	3/4	2.91	25	56.32/c
<b>GRADE 2 HEAVY HEX NUT STEEL ZINC</b>						
JHHN38	80437	3/8 -16	3/8	2.86	100	15.68/c
JHHN12	80438	1/2 -13	1/2	6.07	100	30.42/c
JHHN58	86658	5/8 -11	5/8	2.61	25/125	57.96/c
JHHN34	86489	3/4 -10	3/4	4.73	25/125	161.80/c
<b>GRADE 5 HARDENED STEEL ZINC</b>						
JG5N163	80439	1/4 -20	1/4	.75	100/500	7.15/c
JG5N164	80440	5/16 -18	5/16	1.10	100/500	7.49/c
JG5N165	80441	3/8 -16	3/8	1.59	100/500	12.14/c
JG5N170	83915	7/16 -14	7/16	11.9	100/500	72.00/c
JG5N166	80442	1/2 -13	1/2	1.82	50	12.16/c
JG5N167	80443	5/8 -11	5/8	1.83	25	49.40/c
JG5N168	80444	3/4 -10	3/4	2.92	25	82.52/c
<b>GRADE 8 HARDENED STEEL ZINC</b>						
JG8N163	80445	1/4 -20	1/4	.74	100/500	7.15/c
JG8N164	80446	5/16 -18	5/16	1.10	100/500	10.63/c

OTHER SIZES AND QUANTITIES AVAILABLE BY REQUEST

CONTINUED ON NEXT PAGE  
[www.metallics.us](http://www.metallics.us)



## CONTINUED HEX NUTS

DOMESTIC STEEL ZINC • DOMESTIC GRADE 5 STEEL ZINC • DOMESTIC 18-8 STAINLESS  
 • GRADE 2 • GRADE 2 HEAVY HEX • GRADE 5 • GRADE 8 • SILICON BRONZE • BLACK OXIDE  
 • BRASS • 18-8 STAINLESS • 316 STAINLESS • HEAVY 18-8 STAINLESS • GALVANIZED

PART#	UPC#	DIAMETER SIZE	BOLT SIZE	WT. PER PKG.	STD. PKG./MSTR. SLEEVE	SUGGESTED TRADE LIST PRICE PER
<b>GRADE 8 HARDENED STEEL ZINC</b>						
JG8N165	80447	3/8 -16	3/8	1.60	100/500	15.46/c
JG8N169	81482	7/16 -14	7/16	2.81	100/500	26.31/c
JG8N166	80448	1/2 -13	1/2	1.85	50	17.60/c
JG8N167	80449	5/8 -11	5/8	1.87	25	69.28/c
JG8N168	80450	3/4 -10	3/4	2.87	25	109.48/c
<b>SILICON BRONZE</b>						
JSBN6	73306	6-32	1/8	.29	100/500	36.60/c
JSBN8	73308	8-32	5/32	.38	100/500	42.23/c
JSBN24	73324	10-24	3/16	.40	100/500	53.60/c
JSBN32	73332	10-32	3/16	.40	100/500	53.60/c
JSBN14	80459	1/4 -20	1/4	.46	50	38.82/c
JSBN516	80460	5/16 -18	5/16	.63	50	54.70/c
JSBN38	80461	3/8 -16	3/8	.91	50	71.24/c
JSBN12	80462	1/2 -13	1/2	1.06	25	166.80/c
JSBN58	84340	5/8 -11	5/8	1.99	25	496.44/c
JSBN34	72190	3/4 -10	3/4	2.90	25	1182.50/c
<b>BLACK OXIDE</b>						
JN163BLACK	83064	1/4 -20	1/4	.75	100/500	9.35/c
JN165BLACK	83060	3/8 -16	3/8	1.55	100/500	20.98/c
JN166BLACK	71499	1/2 -13	1/2	1.80	50	28.76/c
<b>BRASS</b>						
JN159BR	80463	6-32	1/8	.26	100/500	9.40/c
JN160BR	80464	8-32	5/32	.33	100/500	10.05/c
JN161BR	62272	10-24	3/16	.38	100/500	20.37/c
JN162BR	80465	10-32	3/16	.38	100/500	12.83/c
JN156BR	62356	12-24	7/32	.65	100/500	33.00/c
JN163BR	80466	1/4 -20	1/4	.71	100/500	20.53/c
JN164BR	62275	5/16 -18	5/16	.55	50/250	48.14/c
JN165BR	62276	3/8 -16	3/8	1.73	100/500	64.43/c
JN171BR	63371	1/2-13	1/2	2.03	50	160.88/c
<b>18-8 STAINLESS</b>						
JSN10	80451	6-32	1/8	.26	100/500	9.56/c
JSN11	80452	8-32	5/32	.30	100/500	10.21/c
JSN12	80453	10-24	3/16	.36	100/500	11.04/c
JSN13	80454	10-32	3/16	.36	100/500	11.04/c
JSN17	91050	12-24	7/32	.60	100/500	10.67/c
JSN14	80455	1/4 -20	1/4	.77	100/500	14.12/c
JSN15	80456	5/16 -18	5/16	1.10	100/500	28.83/c
JSN16	80457	3/8 -16	3/8	1.63	100/500	31.08/c
JSN20	82279	7/16 -14	7/16	2.85	100/500	49.62/c
JSN18	80458	1/2 -13	1/2	1.92	50	67.18/c
JSN19	82278	5/8 -11	5/8	7.34	100/500	157.27/c

OTHER SIZES AND QUANTITIES AVAILABLE BY REQUEST

# NUTS

CONTINUED

## HEX NUTS



DOMESTIC STEEL ZINC • DOMESTIC GRADE 5 STEEL ZINC • DOMESTIC 18-8 STAINLESS  
 • GRADE 2 • GRADE 2 HEAVY HEX • GRADE 5 • GRADE 8 • SILICON BRONZE • BLACK OXIDE  
 • BRASS • 18-8 STAINLESS • 316 STAINLESS • HEAVY 18-8 STAINLESS • GALVANIZED

B

PART#	UPC#	DIAMETER SIZE	BOLT SIZE	WT. PER PKG.	STD. PKG./MSTR. SLEEVE	SUGGESTED TRADE LIST PRICE PER
<b>316 STAINLESS</b>						
JSN103316SS	28789	6-32	1/8	.26	100/500	15.50/c
JSN11316SS	28788	8-32	5/32	.30	100/500	17.00/c
JSN13316SS	28787	10-32	3/16	.32	100/500	18.20/c
JSN14316SS	89314	1/4 -20	1/4	.66	100/500	51.98/c
JSN15316SS	89315	5/16 -18	5/16	.65	100/500	229.78/c
JSN16316SS	89316	3/8 -16	3/8	.82	50/250	144.81/c
JSN20316SS	89320	7/16 -14	7/16	1.48	50	158.03/c
JSN25316SS	89325	1/2 -13	1/2	1.82	50	277.06/c
JSN19316SS	96719	5/8 -11	5/8	3.67	50	303.51/c
JSN22316SS	96722	7/8 -9	7/8	5.18	25	515.00/c
<b>HEAVY 18-8 STAINLESS</b>						
JHJN13SS	63313	1/4 -20	1/4	6.26	100/500	33.13/c
<b>GALVANIZED</b>						
JN163G	83163	1/4 -20	1/4	.81	100/500	13.97/c
JN164G	28633	5/16 -18	5/16	1.04	100/500	14.00/c
JN165G	83165	3/8 -16	3/8	1.60	100/500	17.18/c
JN166G	83166	1/2 -13	1/2	1.92	50/250	22.72/c
JN167G	83167	5/8 -11	5/8	3.66	50	85.54/c
JN168G	83168	3/4 -10	3/4	2.86	25	87.00/c
JN173G	28632	7/8 -9	7/8	4.36	25	88.00/c
N174G	90474	1	1	2.46	10	144.50/c

OTHER SIZES AND QUANTITIES AVAILABLE BY REQUEST



## HEX NUTS

NYLON

PART#	UPC#	DIAMETER SIZE	BOLT SIZE	WT. PER PKG.	STD. PKG./MSTR. SLEEVE	SUGGESTED TRADE LIST PRICE PER
JNN161	72161	10-24	3/16	.11	100/500	57.96/c
JNN163	72163	1/4 -20	1/4	.13	50/250	30.00/c
JNN164	89729	5/16 -18	5/16	.16	50/250	37.50/c

OTHER SIZES AND QUANTITIES AVAILABLE BY REQUEST



## HEX JAM NUTS

STEEL ZINC • BRASS • 316 STAINLESS

PART#	UPC#	DIAMETER SIZE	BOLT SIZE	WT. PER PKG.	STD. PKG./MSTR. SLEEVE	SUGGESTED TRADE LIST PRICE PER
<b>STEEL ZINC</b>						
JN163J	83713	1/4 -20	1/4	.55	100/500	8.81/c
JN164J	83714	5/16 -18	5/16	.76	100/500	13.38/c
JN165J	83715	3/8 -16	3/8	1.06	100/500	62.41/c
JN167J	83177	5/8 -18	5/8	1.81	25	34.00/c
JN168J	83178	3/4 -10	3/4	1.83	25	59.00/c
<b>BRASS</b>						
JN163JBR	83708	1/4 -28	1/4	.53	100/500	37.20/c
<b>316 STAINLESS</b>						
JN166JSS	63409	1/2 -13	1/2	1.33	50	84.00/c

OTHER SIZES AND QUANTITIES AVAILABLE BY REQUEST



## HEX NUT KIT

STEEL ZINC

B

PART#	UPC#	DIAMETER SIZE	WT. PER PKG.	QTY.	STD. PKG./MSTR. SLEEVE	SUGGESTED TRADE LIST PRICE PER
NK1	10506	6-32	1.92	100	1/25	22.95/ea kit
		8-32		100		
		10-32		100		
		1/4 -20		50		
		5/16 -18		30		
		3/8 -16		20		

OTHER SIZES AND QUANTITIES AVAILABLE BY REQUEST



## HEX NUT KIT

18-8 STAINLESS

PART#	UPC#	DIAMETER SIZE	WT. PER PKG.	QTY.	STD. PKG./MSTR. SLEEVE	SUGGESTED TRADE LIST PRICE PER
SNK1	90210	6-32	1.59	100	1/25	41.10/ea kit
		8-32		100		
		10-32		100		
		1/4 -20		50		
		5/16 -18		30		
		3/8 -16		20		

OTHER SIZES AND QUANTITIES AVAILABLE BY REQUEST



## HEX NYLON INSERT LOCK NUT KIT

STEEL ZINC

Six sizes of the most commonly used nylon lock nuts in one convenient case.

- Zinc plated
- Eliminates the need for lock washers
- For the use in high vibration areas
- Not for use in high heat situations

PART#	UPC#	DIAMETER SIZE	WT. PER PKG.	QTY.	SUGGESTED TRADE LIST PRICE PER
NYNK1	11570	6-32	2.51	100	30.22/ea kit
		8-32		100	
		10-32		100	
		1/4 -20		50	
		5/16 -18		40	
		3/8 -16		20	

OTHER SIZES AND QUANTITIES AVAILABLE BY REQUEST

# NUTS



## HEX METRIC NUTS

STEEL ZINC • 18-8 STAINLESS • 316 STAINLESS

PART#	UPC#	SIZE	WT. PER PKG.	STD. PKG./MSTR. SLEEVE	SUGGESTED TRADE LIST PRICE PER
<b>STEEL ZINC</b>					
JNM03	20133	M3	.13	100/500	3.28/c
JNM04	63444	M4	.21	100/500	3.28/c
JNM05	63445	M5	.29	100/500	3.62/c
JNM06	63446	M6	.53	100/500	6.31/c
JNM08	63448	M8	1.05	100/500	10.25/c
JNM010	63450	M10	2.31	100/500	21.50/c
JNM012	63452	M12	3.51	100	29.06/c
JNM016	63456	M16	4.51	100	6.14/c
JNM020	63460	M20	4.94	100	13.61/c
JNM024	63464	M24	5.22	100	25.79/c
<b>18-8 STAINLESS</b>					
JSNM5SS	95605	M5	.27	100/500	6.37/c
JSNM6SS	95289	M6	.53	100/500	7.63/c
JSNM8SS	95291	M8	1.10	100/500	14.62/c
JSNM10SS	95610	M10	2.38	100/500	32.65/c
JSNM12SS	95612	M12	3.50	100	50.88/c
<b>316 STAINLESS</b>					
JSNM6SS316	95267	M6	.52	100/500	10.33/c
JSNM8SS316	95269	M8	1.11	100/500	23.38/c
JSNM10SS316	95271	M10	2.42	100/500	48.13/c
JSNM12SS316	95273	M12	3.51	100	70.13/c

OTHER SIZES AND QUANTITIES AVAILABLE BY REQUEST



## HEX LOCK NUTS

STEEL ZINC • 18-8 STAINLESS

With External Tooth Lock Washer attached

PART#	UPC#	DIAMETER SIZE	BOLT SIZE	WT. PER PKG.	STD. PKG./MSTR. SLEEVE	SUGGESTED TRADE LIST PRICE PER
<b>STEEL ZINC</b>						
JTLN1	80467	6-32	1/8	.28	100/500	9.09/c
JTLN2	80468	8-32	5/32	.33	100/500	9.69/c
JTLN3	80469	10-24	3/16	.39	100/500	10.47/c
JTLN4	80470	10-32	3/16	.40	100/500	10.47/c
JTLN8	90090	12-24	7/32	.66	100/500	38.92/c
JTLN5	80471	1/4 -20	1/4	.72	100/500	12.23/c
JTLN6	80472	5/16 -18	5/16	1.20	100/500	19.82/c
JTLN7	80473	3/8 -16	3/8	1.72	100/500	25.52/c
<b>18-8 STAINLESS</b>						
JTLN2SS	90092	8-32	5/32	.33	100/500	9.75/c
JTLN4SS	90094	10-32	3/16	.41	100/500	10.88/c
JTLN5SS	90095	1/4 -20	1/4	.73	100/500	22.94/c
JTLN6SS	90096	5/16 -18	5/16	1.18	100/500	22.94/c
JTLN7SS	90097	3/8 -16	3/8	1.79	100/500	64.47/c

OTHER SIZES AND QUANTITIES AVAILABLE BY REQUEST



## HEX NYLON INSERT LOCK NUTS

STEEL ZINC • GRADE 8 • 18-8 STAINLESS • 18-8 HEAVY HEX • 316 STAINLESS • METRIC

PART#	UPC#	DIAMETER SIZE	BOLT SIZE	WT. PER PKG.	STD. PKG./MSTR. SLEEVE	SUGGESTED TRADE LIST PRICE PER
<b>STEEL ZINC</b>						
JNYN159	80474	6-32	1/8	.30	100/500	8.85/c
JNYN160	80475	8-32	5/32	.44	100/500	9.43/c
JNYN161	80476	10-24	3/16	.55	100/500	10.19/c
JNYN162	80477	10-32	3/16	.53	100/500	10.19/c
JNYN170	85202	12-24	7/32	.91	100/500	11.91/c
JNYN163	80478	1/4 -20	1/4	.84	100/500	11.91/c
JNYN163M	84489	1/4 -20	1/4	7.66	1000	115.43/m
NYN163B	90668	1/4 -20	1/4	29.40	3500	111.97/m
NYN1635M	14034	1/4 -20	1/4	42.00	5000	108.61/m
JNYN169	85569	1/4 -28	1/4	.82	100/500	16.52/c
JNYN164	80479	5/16 -18	5/16	1.18	100/500	19.29/c
JNYN174	85574	5/16 -24	5/16	1.15	100/500	19.03/c
JNYN165	80480	3/8 -16	3/8	1.77	100/500	24.84/c
JNYN171	85571	3/8 -24	3/8	1.74	100/500	22.12/c
JNYN172	85204	7/16 -14	7/16	2.15	100/500	20.72/c
JNYN173	85573	7/16 -20	7/16	2.00	100/500	36.12/c
JNYN166	80481	1/2 -13	1/2	2.26	50/250	31.00/c
JNYN177	85575	1/2 -20	1/2	4.38	100	41.72/c
JNYN167	80482	5/8 -11	5/8	2.19	25/100	59.44/c
JNYN168	80483	3/4 -10	3/4	3.10	25	103.04/c
<b>GRADE 8 FINE THREAD STEEL ZINC</b>						
JNYNF167	85577	5/8 -18	5/8	8.44	100	86.52/c
<b>18-8 STAINLESS</b>						
JNYN160SS	84471	8-32	3/32	.45	100/500	17.62/c
JNYN161SS	84472	10-24	3/16	.53	100/500	17.92/c
JNYN162SS	84473	10-32	3/16	.52	100/500	17.92/c
JNYN170SS	84481	12-24	7/32	.93	100/500	25.00/c
JNYN163SS	84474	1/4 -20	1/4	.84	100/500	22.64/c
JNYN169SS	84480	1/4 -28	1/4	.83	100/500	28.00/c
JNYN164SS	84475	5/16 -18	5/16	1.15	100/500	32.43/c
JNYN174SS	85084	5/16 -24	5/16	1.14	100/500	28.13/c
JNYN165SS	84476	3/8 -16	3/8	1.81	100/500	42.48/c
JNYN171SS	84482	3/8 -24	3/8	1.72	100/500	42.50/c
JNYN172SS	84483	7/16 -14	7/16	2.14	100/500	77.66/c
JNYN173SS	84484	7/16 -20	7/16	2.08	100/500	70.75/c
JNYN166SS	84477	1/2 -13	1/2	2.15	50/250	139.62/c
JNYN167SS	84478	5/8 -11	5/8	4.42	50	258.82/c
JNYN175SS	85085	3/4 -10	3/4	6.10	50	250.00/c
<b>18-8 STAINLESS HEAVY HEX</b>						
JNYN165SSHH	61422	3/8 -16	3/8	1.92	100	276.66/c
JNYN166SSHH	61423	1/2 -13	1/2	4.76	100	287.73/c
<b>316 STAINLESS</b>						
JNYN164SS316	61405	5/16 -18	5/16	1.18	100/500	28.20/c
<b>METRIC 18-8 STAINLESS</b>						
JMNYN305SS	84497	M3	.50mm	2.10	2500	62.50/m

OTHER SIZES AND QUANTITIES AVAILABLE BY REQUEST



## HEX SERRATED FLANGE LOCK NUTS

STEEL ZINC • 18-8 STAINLESS

PART#	UPC#	DIAMETER SIZE	BOLT SIZE	WT. PER PKG.	STD. PKG./MSTR. SLEEVE	SUGGESTED TRADE LIST PRICE PER
<b>STEEL ZINC</b>						
JSFN832	82060	8-32	3/32	.60	100/500	4.58/c
JSFN1024	82062	10-24	3/16	.66	100/500	4.79/c
JSFN1032	82064	10-32	3/16	.65	100/500	4.79/c
JSFN1420	82066	1/4 -20	1/4	.93	100/500	5.77/c
JSFN51618	82068	5/16 -18	5/16	1.30	100/500	11.20/c
JSFN3816	82070	3/8 -16	3/8	1.90	100/500	14.08/c
<b>18-8 STAINLESS</b>						
JSFN51618SS	93815	5/16 -18	5/16	1.31	100/500	32.45/c
JSFN3816SS	81980	3/8 -16	3/8	1.91	100/500	46.33/c
JSFN1213SS	93818	1/2 -13	1/2	2.29	50/250	72.50/c

OTHER SIZES AND QUANTITIES AVAILABLE BY REQUEST



## SPRING NUTS AND CHANNEL WASHERS

STEEL ZINC • 18-8 STAINLESS

PART#	UPC#	DIAMETER SIZE	WT. PER PKG.	STD. PKG./MSTR. SLEEVE	SUGGESTED TRADE LIST PRICE PER
<b>STEEL ZINC SPRING NUTS</b>					
MSNR1420	24641	1/4 -20	6.68	100	132.16/c
MSNS1420*	24661	1/4 -20	6.68	100	197.88/c
MSNR3816	24643	3/8 -16	8.34	100	162.85/c
MSNS3816*	24663	3/8 -16	8.34	100	138.60/c
MSNR1213	24645	1/2 -13	7.35	100	175.59/c
MSNS1213*	24665	1/2 -13	7.35	100	256.54/c
<b>18-8 STAINLESS SPRING NUTS</b>					
MSCW14SS	60864	1/4 -20	6.43	50	595.00/c
MSCW38SS	60863	3/8 -16	7.75	50	722.50/c
MSCW12SS	60862	1/2 -13	4.52	25	722.50/c
<b>STEEL ZINC CHANNEL WASHERS</b>					
MSCW516	24652	11/32 hole for 1/4 & 5/16 bolt	15.34	100	171.16/c
MSCW38	24653	7/16 hole for 3/8 bolt	15.34	100	166.04/c
MSCW12	24655	9/16 hole for 1/2 bolt	17.71	100	168.17/c
<b>18-8 STAINLESS CHANNEL WASHERS</b>					
MSNR1420SS	60861	11/32 hole for 1/4 bolt	3.46	50	765.00/c
MSNR3816SS	60860	7/16 hole for 3/8 bolt	4.19	50	807.50/c
MSNR1213SS	60859	9/16 hole for 1/2 bolt	1.91	25	807.50/c

OTHER SIZES AND QUANTITIES AVAILABLE BY REQUEST

\*INDICATES SHORT SPRING





## WING NUTS

FORGED STEEL

PART#	UPC#	DIAMETER SIZE	WT. PER PKG.	STD. PKG./MSTR. SLEEVE	SUGGESTED TRADE LIST PRICE PER
JWNCF2	90246	6-32	.42	100	9.38/c
JWNCF3	90247	8-32	.77	100	10.63/c
JWNCF4	90248	10-24	.75	100	10.63/c
JWNCF5	90249	10-32	.72	100	10.63/c
JWNCF6	90250	1/4-20	1.21	100	14.95/c
JWNCF7	90251	5/16-18	1.84	100	17.23/c
JWNCF8	90252	3/8-16	3.22	100	29.50/c
JWNCF9	90253	1/2-13	7.38	100	59.63/c

B



## STAMPED WING NUTS

STEEL ZINC • 18-8 STAINLESS

PART#	UPC#	DIAMETER SIZE	WT. PER PKG.	STD. PKG./MSTR. SLEEVE	SUGGESTED TRADE LIST PRICE PER
<b>STEEL ZINC</b>					
JWN3	79899	8-32	.86	100/500	15.52/c
JWN4	79900	10-24	.92	100/500	15.53/c
JWN5	79901	10-32	.92	100/500	20.31/c
JWN6	80484	1/4 -20	1.28	100/500	22.14/c
JWN7	80485	5/16 -18	1.47	100/500	30.64/c
JWN8	80486	3/8 -16	2.75	100/500	47.20/c
JWN9	80487	1/2 -13	6.79	100	112.18/c
<b>18-8 STAINLESS</b>					
JWN2SS	90782	6-32	.80	100/500	77.83/c
JWN3SS	90783	8-32	.84	100/500	51.19/c
JWN4SS	90793	10-24	.93	100/500	55.84/c
JWN6SS	90785	1/4 -20	1.36	100/500	76.28/c
JWN7SS	90786	5/16 -18	1.99	100/500	106.82/c
JWN8SS	90787	3/8 -16	3.35	100/500	177.09/c

OTHER SIZES AND QUANTITIES AVAILABLE BY REQUEST



## CAP NUTS

NICKEL PLATED • 18-8 STAINLESS

PART#	UPC#	DIAMETER SIZE	WT. PER PKG.	STD. PKG./MSTR. SLEEVE	SUGGESTED TRADE LIST PRICE PER
<b>NICKEL PLATED</b>					
JCN160	81798	6-32	.30	100/500	33.66/c
JCN161	81799	10-24	.44	100/500	17.75/c
JCN163	80488	1/4 -20	.75	100/500	13.85/c
JCN164	80489	5/16 -18	1.42	100/500	26.82/c
JCN165	80490	3/8 -16	1.88	100/500	64.85/c
JCN167	81802	5/8 -11	7.00	100	272.50/c
<b>18-8 STAINLESS</b>					
JCN168SS	92921	12-24	.79	100/500	180.55/c
JCN163SS	92916	1/4 -20	1.31	100/500	64.41/c
JCN164SS	92917	5/16 -18	2.18	100/500	127.45/c
JCN165SS	92918	3/8 -16	3.36	100/500	163.46/c

OTHER SIZES AND QUANTITIES AVAILABLE BY REQUEST



# NUTS



## SQUARE NUTS

STEEL ZINC • 18-8 STAINLESS

PART#	UPC#	DIAMETER SIZE	WIDTH A	THICKNESS B	WT. PER PKG.	STD. PKG./ MSTR. SLEEVE	SUGGESTED TRADE LIST PRICE PER
<b>STEEL ZINC</b>							
JSQ2	80491	6-32	5/16	7/64	.12	100/500	4.17/c
JSQ3	80492	8-32	11/32	1/8	.36	100/500	4.32/c
JSQ4	80493	10-24	3/8	1/8	.43	100/500	4.58/c
JSQ5	80494	10-32	3/8	1/8	.44	100/500	4.64/c
JSQ6	80495	1/4 -20	7/16	3/16	.79	100/500	7.25/c
JSQ7	80496	5/16 -18	9/16	7/32	1.47	100/500	11.32/c
JSQ8	80497	3/8 -16	5/8	1/4	2.45	100/500	18.22/c
JSQ9	81069	1/2 -13	13/16	7/16	5.80	100	96.87/c
<b>18-8 STAINLESS</b>							
JSQ8SS	84838	3/8 -16	5/8	1/4	2.45	100/500	97.75/c

OTHER SIZES AND QUANTITIES AVAILABLE BY REQUEST

## MASTER PLUG® SYSTEM

THREADED INSERT-FASTENING, SEALING, CUSHIONING SYSTEM



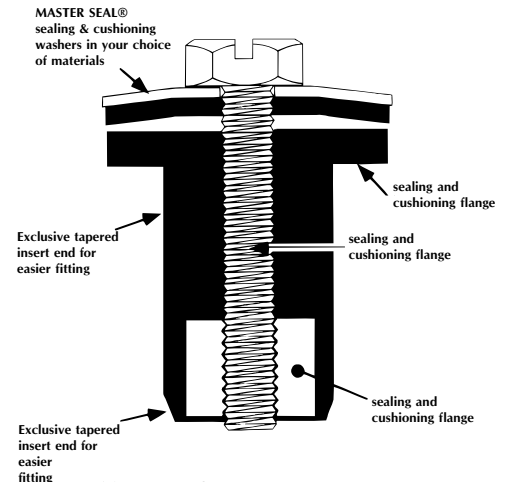
### ADAPTABILITY

- Fastens blind holes and closed-end holes
- Cushions and seals similar and non-similar materials
- Absorbs vibration and seals both sides
- Tapered design enhances fastening installation
- Won't crack with ozone and ultraviolet exposure

### VERSATILITY

- Removable and re-insertable
- Installs with conventional tools
- Works as a system with MASTER SEAL® washers (See page 108)
- Flange thickness always in proportion to size
- Grip range covers all dimensions

FOR STEEL BUILDING CONSTRUCTION



## PACKAGED IN A PLASTIC BOX

PART#	UPC NO.	DIAMETER SIZE	BODY DIA.	OVERALL LENGTH	FLANGE O.D.	FLANGE THICKNESS	WT. PER PKG.	STD. PKG./ MSTR. SLEEVE	SUGGESTED TRADE LIST PRICE PER
MPS10	10383	6-32L	.250	1.062	.500	.062	.14	25	24.51/ ea
MPS11	10384	10-32S	.375	.625	.562	.062	.20	25	24.63/ ea
MPS12	10385	10-32R	.375	1.062	.562	.062	.16	25	28.99/ ea
MPS13	10386	1/4 -20S	.500	.855	.875	.090	.27	20	24.51/ ea
MPS14	10387	1/4 -20R	.500	1.276	.875	.100	.19	15	21.86/ ea

OTHER SIZES AND QUANTITIES AVAILABLE BY REQUEST

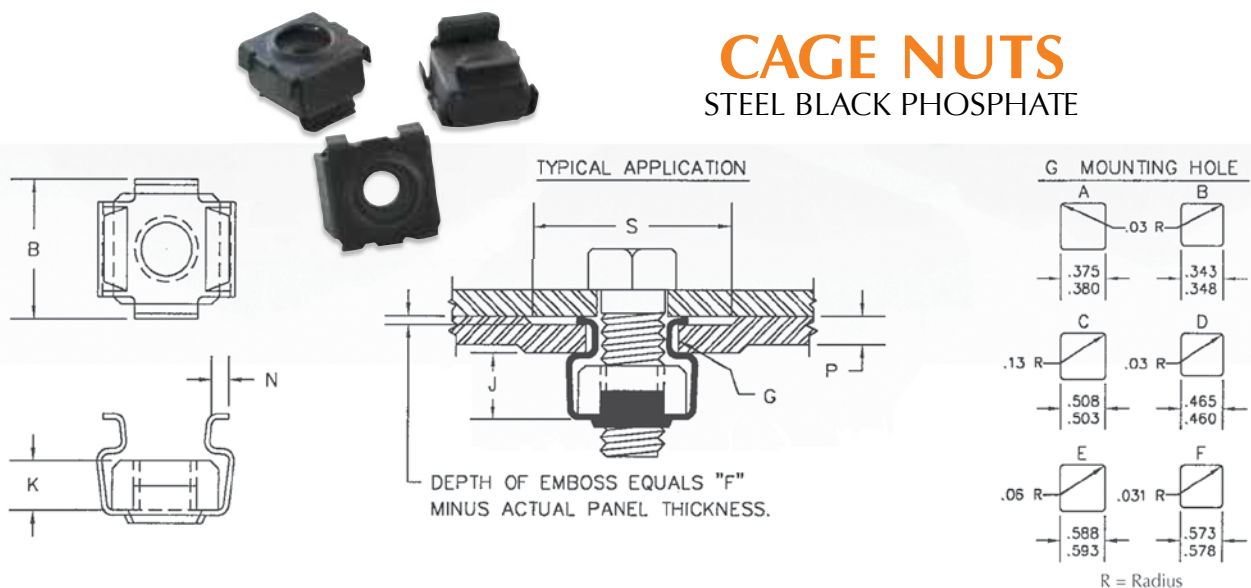
## PACKAGED IN A POLY BAG

PART#	UPC NO.	DIAMETER SIZE	BODY DIA.	OVERALL LENGTH	FLANGE O.D.	FLANGE THICKNESS	WT. PER PKG.	STD. PKG./ MSTR. SLEEVE	SUGGESTED TRADE LIST PRICE PER
MPS15	10388	6-32L	.250	1.062	.500	.062	.58	100	73.52/c
MPS16	10389	10-32S	.375	.625	.562	.062	.50	100	73.96/c
MPS17	10390	10-32R	.375	1.062	.562	.062	.56	100	86.84/c
MPS18	10391	1/4 -20S	.500	.855	.875	.090	.94	100	92.10/c
MPS19	10392	1/4 -20R	.500	1.276	.875	.100	1.18	100	109.38/c

OTHER SIZES AND QUANTITIES AVAILABLE BY REQUEST

## CAGE NUTS

STEEL BLACK PHOSPHATE



B

PART#	UPC#	SCREW DIAMETER SIZE	PANEL RANGE P	F	S	MNTG. HOLE G	B	J	N	K	WT. PER PKG.	STD. PKG./MSTR. SLEEVE	SUGGESTED TRADE LIST PRICE PER
CNN1024	30030	10-24	.025-.063	0.1	0.531	A or B	0.52	0.06	0.6	0.156	.63	50	37.35/c
CNN1032	30025	10-32	.025-.063	0.1	0.531	A or B	0.52	0.06	0.6	0.156	.54	50	34.25/c
CNN1224	30035	12-24	.025-.063	0.1	0.531	A or B	0.52	0.06	0.6	0.156	.60	50	41.83/c

OTHER SIZES AND QUANTITIES AVAILABLE BY REQUEST  
SOME SIZES AVAILABLE IN STAINLESS STEEL

## CAGE NUT KITS

STEEL BLACK PHOSPHATE

For use in telecom cabinets, relay racks and patch panels



PART#	UPC#	SCREW DIAMETER SIZE	SCREW LENGTH	PANEL RANGE P	MNTG. HOLE G	WT. PER PKG.	STD. PKG./MSTR. SLEEVE	SUGGESTED TRADE LIST PRICE PER
CNN1024K	85585	10-24	5/8	.025 - .063	A or B	.96	50	58.33/ea kit
CNN1032K	85590	10-32	5/8	.025 - .063	A or B	.80	50	55.81/ea kit
CNN1224K	85595	12-24	5/8	.025 - .063	A or B	.96	50	63.71/ea kit

OTHER SIZES AND QUANTITIES AVAILABLE BY REQUEST



## HEX HEAD TAMPER-RESIST BREAKAWAY NUTS

STEEL ZINC • ALUMINUM

PART#	UPC#	DIAMETER SIZE	WT. PER PKG.	STD. PKG./MSTR. SLEEVE	SUGGESTED TRADE LIST PRICE PER
<b>STEEL ZINC</b>					
TPZBN1213	34988	1/2 -13	4.48	100	728.03/c
<b>ALUMINUM</b>					
TPABN1024	34960	10-24	.31	100	252.00/c
TPABN1420	34962	1/4 -20	.64	100	315.00/c
TPABN51618	34963	5/16 -18	.79	100	378.00/c
TPABN3816	34964	3/8 -16	1.35	100	504.00/c

OTHER SIZES AND QUANTITIES AVAILABLE BY REQUEST